



Yes, you still have to
dress yourself.

Barrister Home Dresser

Barrister Home Collection | Model 5418902

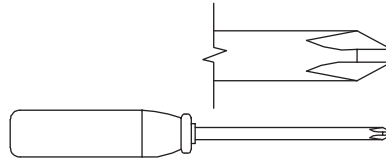
NOTE: THIS INSTRUCTION
BOOKLET CONTAINS **IMPORTANT**
SAFETY INFORMATION.

PLEASE READ AND KEEP FOR
FUTURE REFERENCE.

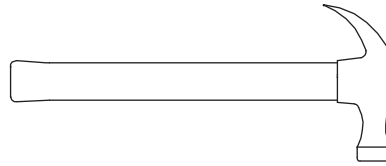
Table of Contents

Assembly Tools Required

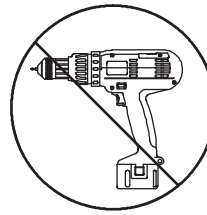
Part Identification	3
Hardware Identification	4
Assembly Steps	5-22



No. 2 Phillips Screwdriver
Tip Shown Actual Size



Hammer
Not actual size 😊



Skip the power trip.
This time.

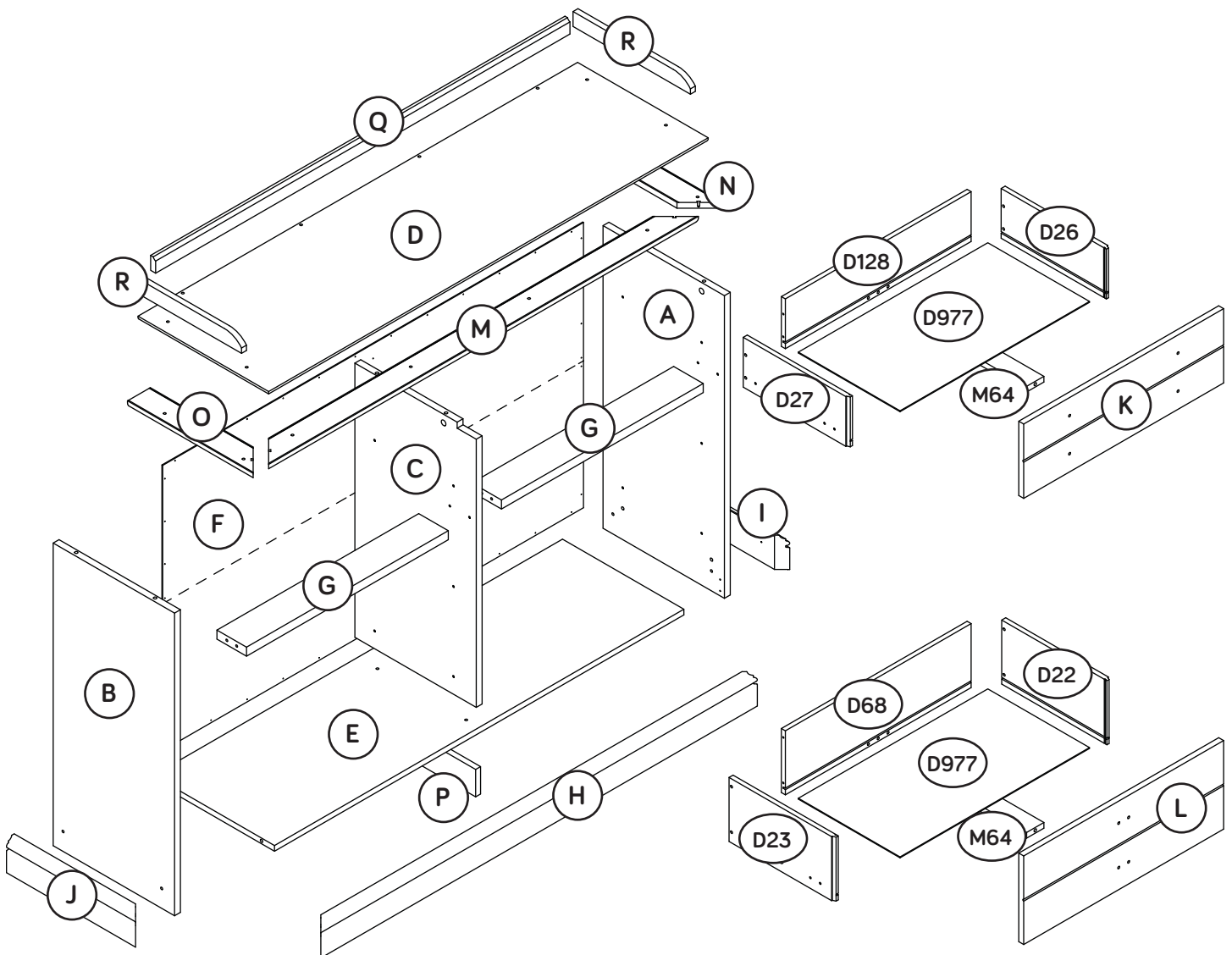
Part Identification

Now you know
our ABCs.



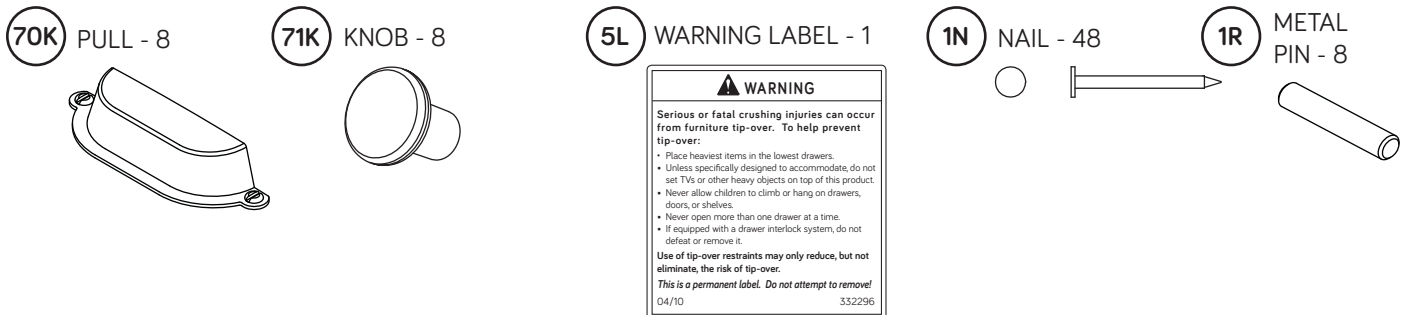
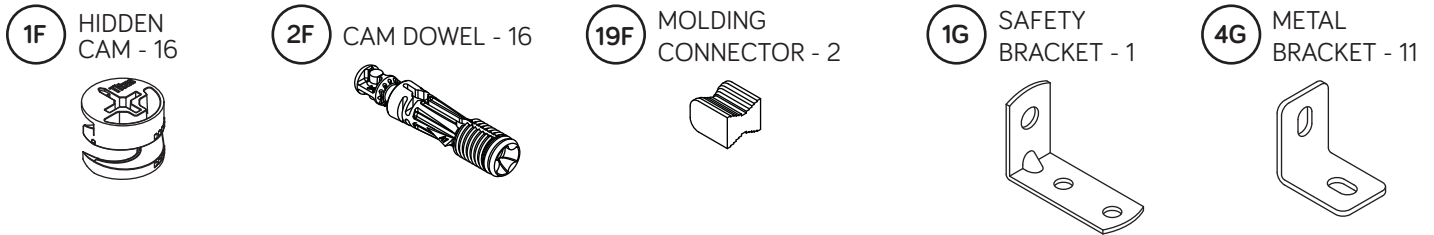
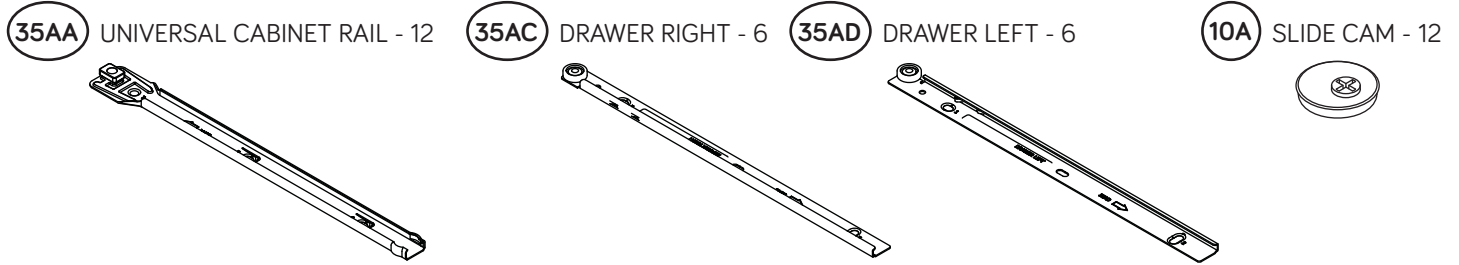
† While not all parts are labeled, some of the parts will have a label or an inked letter on the edge to help distinguish similar parts from each other. Use this part identification to help identify similar parts.

A	RIGHT END (1)	J	LEFT BASE (1)	D22	DRAWER RIGHT SIDE (4)
B	LEFT END (1)	K	UPPER DRAWER FRONT (2)	D23	DRAWER LEFT SIDE (4)
C	UPRIGHT (1)	L	DRAWER FRONT (4)	D26	SMALL DRAWER RIGHT SIDE (2)
D	TOP (1)	M	FRONT MOLDING (1)	D27	SMALL DRAWER LEFT SIDE (2)
E	BOTTOM (1)	N	RIGHT MOLDING (1)	D68	DRAWER BACK (4)
F	BACK (1)	O	LEFT MOLDING (1)	D128	SMALL DRAWER BACK (2)
G	BRACE (2)	P	SUPPORT (1)	D977	DRAWER BOTTOM (6)
H	BASE (1)	Q	BACK RAIL (1)	M64	DRAWER BRACE (6)
I	RIGHT BASE (1)	R	SIDE RAIL (2)		

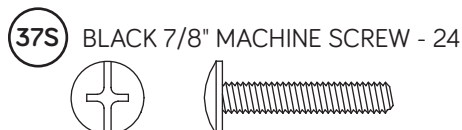
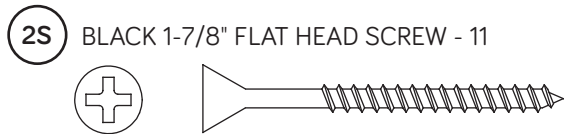
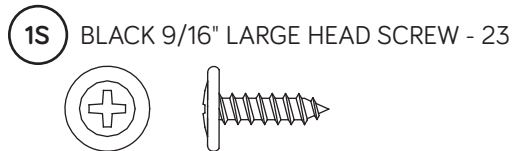


Hardware Identification

† Screws are shown actual size. You may receive extra hardware with your unit.



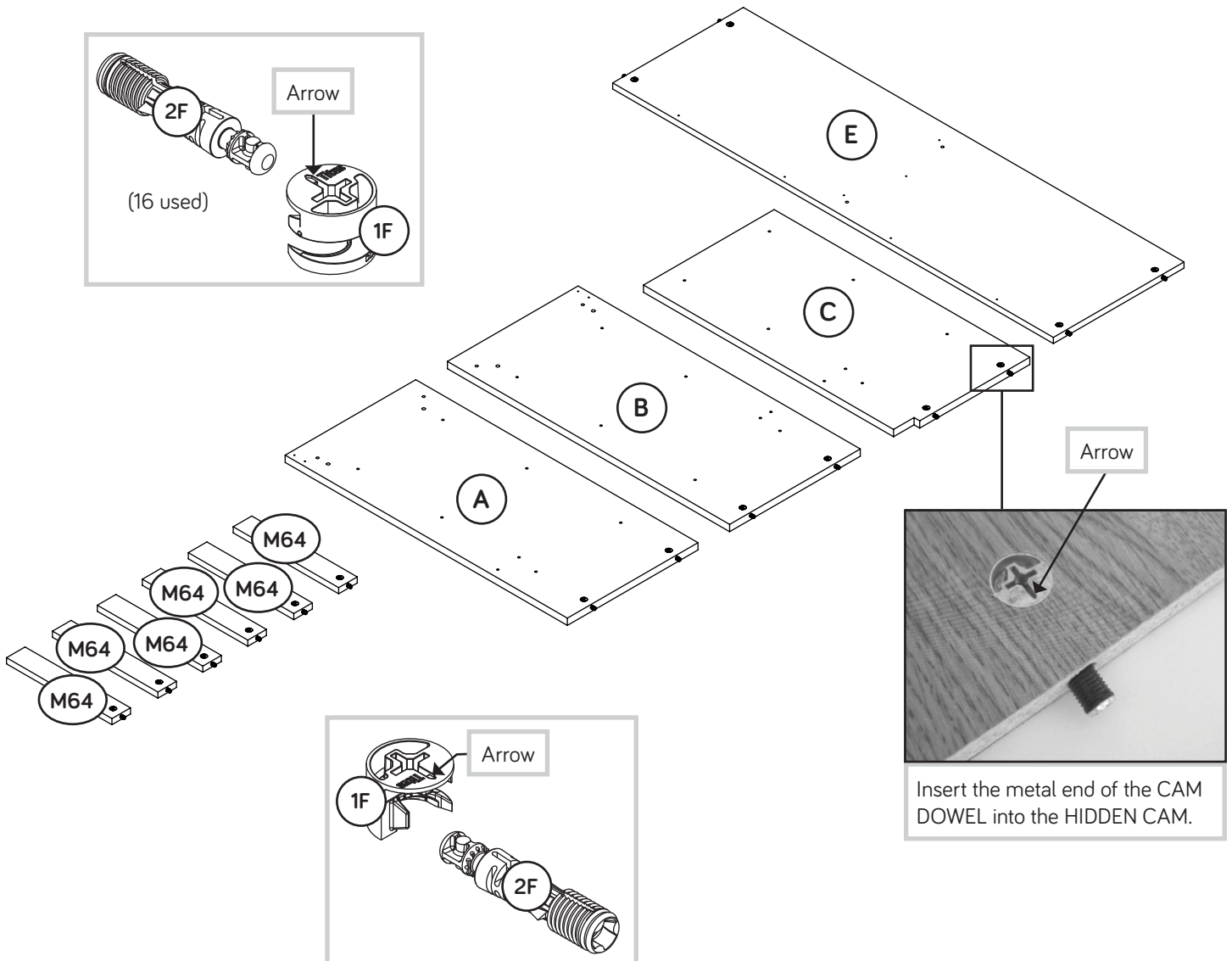
(Refer to Step 17 for proper location and application)



Step 1

- ✚ Assemble your unit on a carpeted floor or on the empty carton to avoid scratching your unit or the floor.
- ✚ Push sixteen HIDDEN CAMS (1F) into the ENDS (A and B), UPRIGHT (C), BOTTOM (E), and DRAWER BRACES (M64). Then, insert the metal end of a CAM DOWEL (2F) into each HIDDEN CAM.

Do not tighten the HIDDEN CAMS in this step.

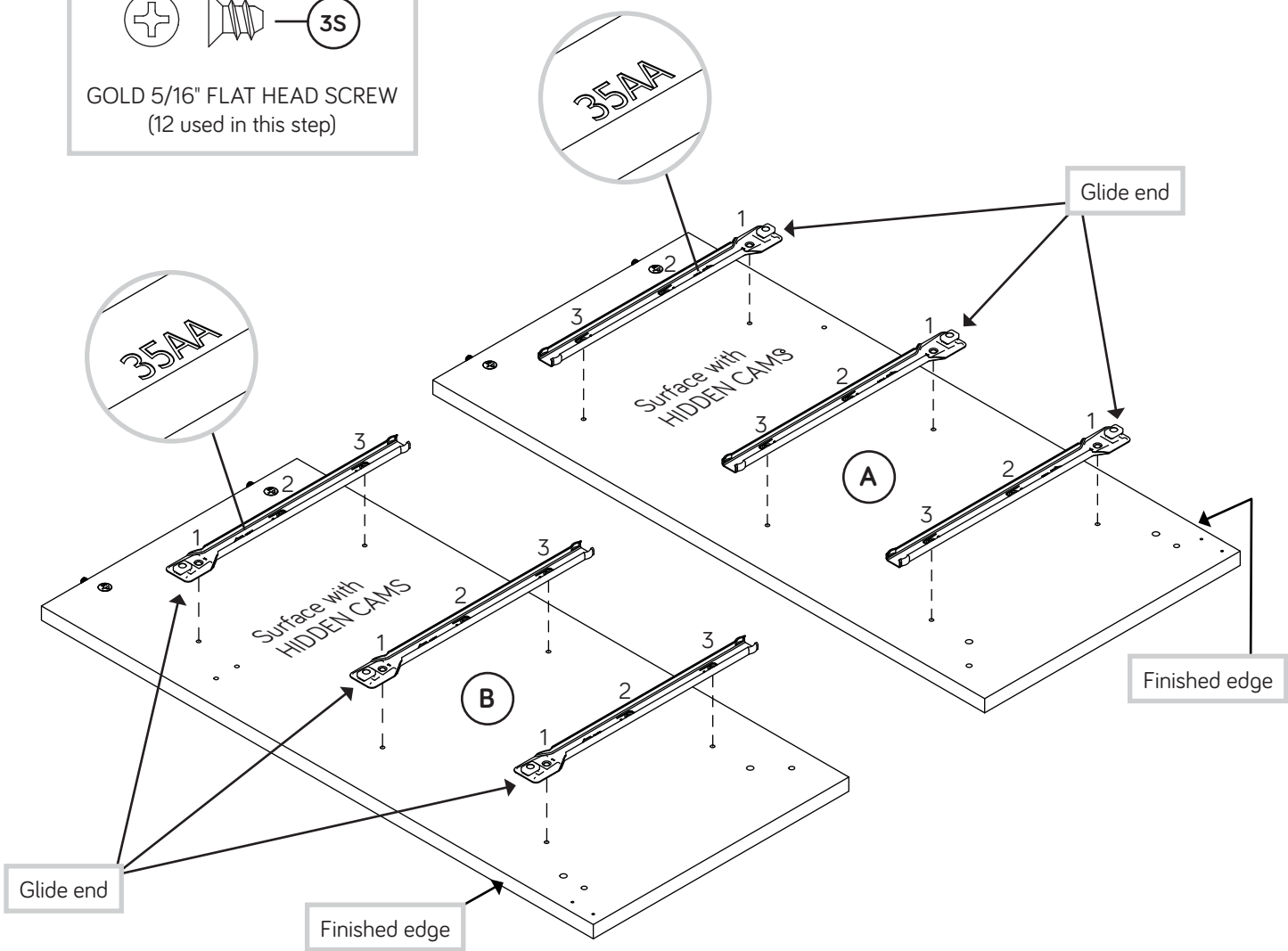
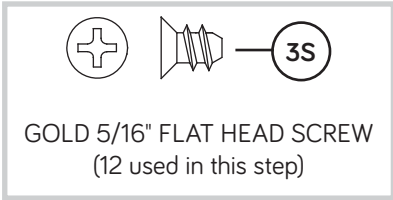


Step 2

Fasten six UNIVERSAL CABINET RAILS* (35AA) to the ENDS (A and B). Use twelve GOLD 5/16" FLAT HEAD SCREWS (3S) through holes #1 and #3.

*patent pending glide system

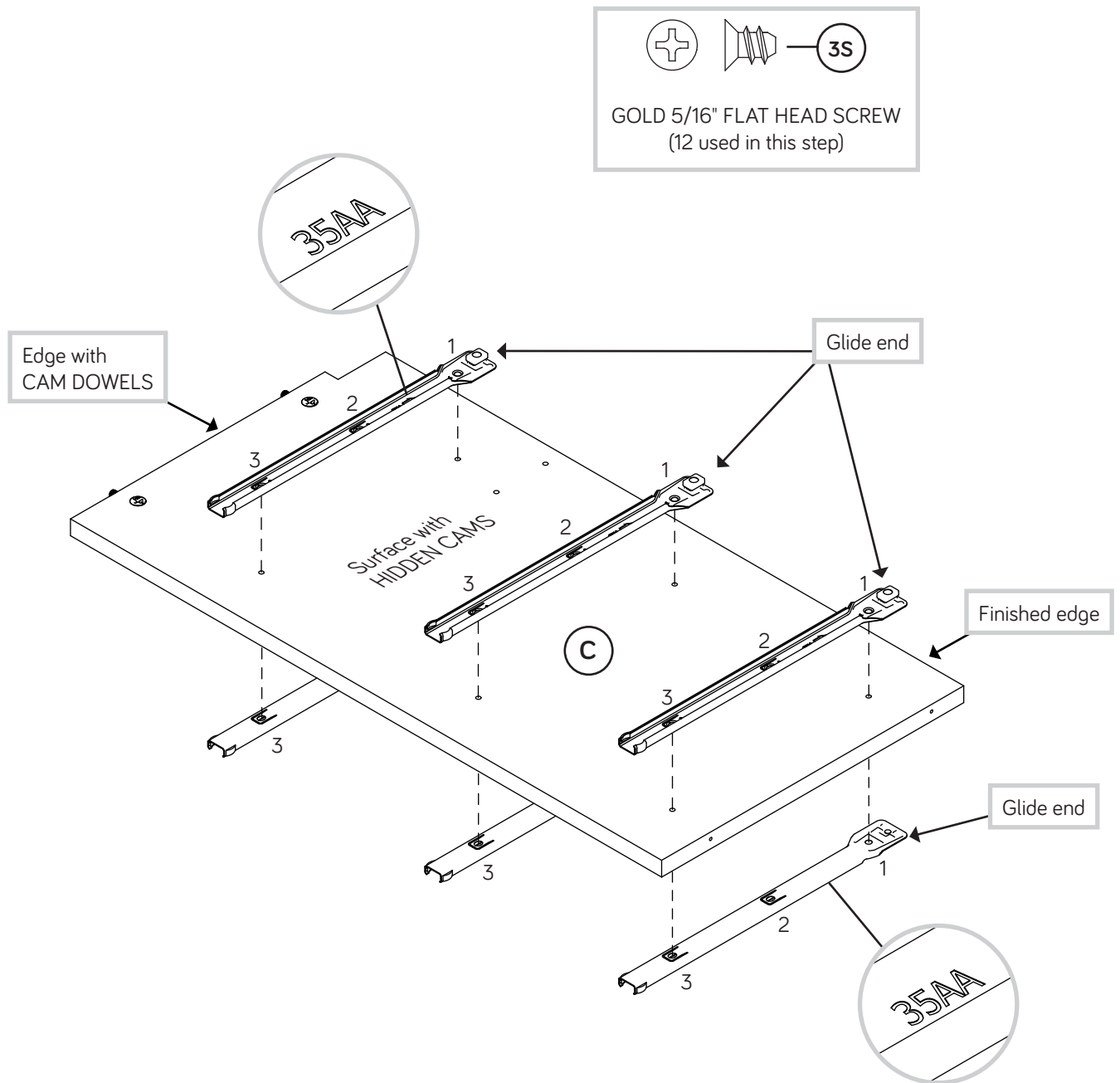
 Remember:
Righty tighty.
Lefty loosey.



Step 3

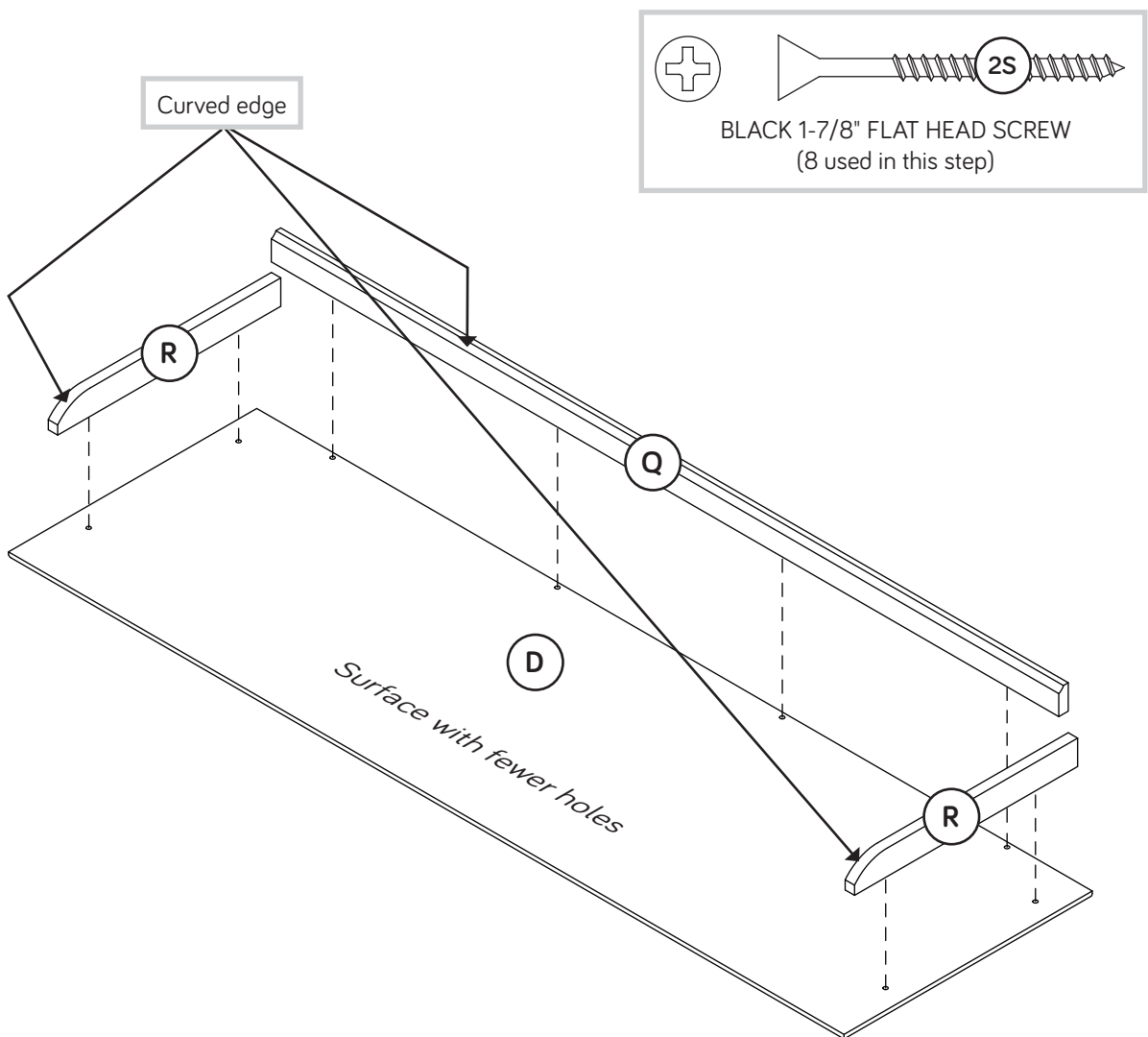
Fasten six UNIVERSAL CABINET RAILS* (35AA) to the UPRIGHT (C). Use twelve GOLD 5/16" FLAT HEAD SCREWS (3S) through holes #1 and #3.

*patent pending glide system



Step 4

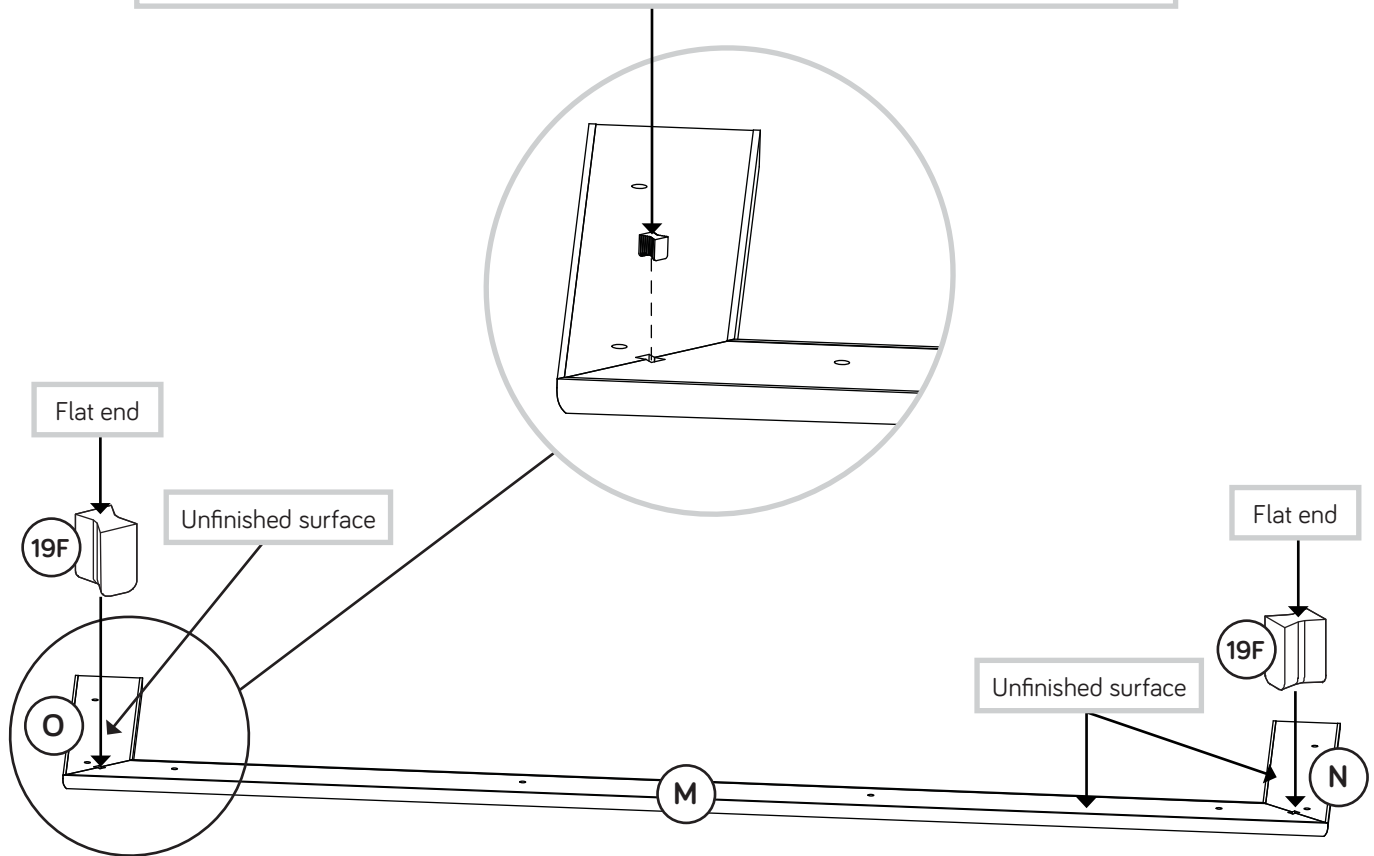
- Fasten the TOP (D) to the RAILS (Q and R). Use eight BLACK 1-7/8" FLAT HEAD SCREWS (2S).



Step 5

- Tap two MOLDING CONNECTORS (19F) into the notches in the MOLDINGS (M, N, and O).

Use your hammer to tap the MOLDING CONNECTORS (19F) into the notches in the MOLDINGS.



Step 6

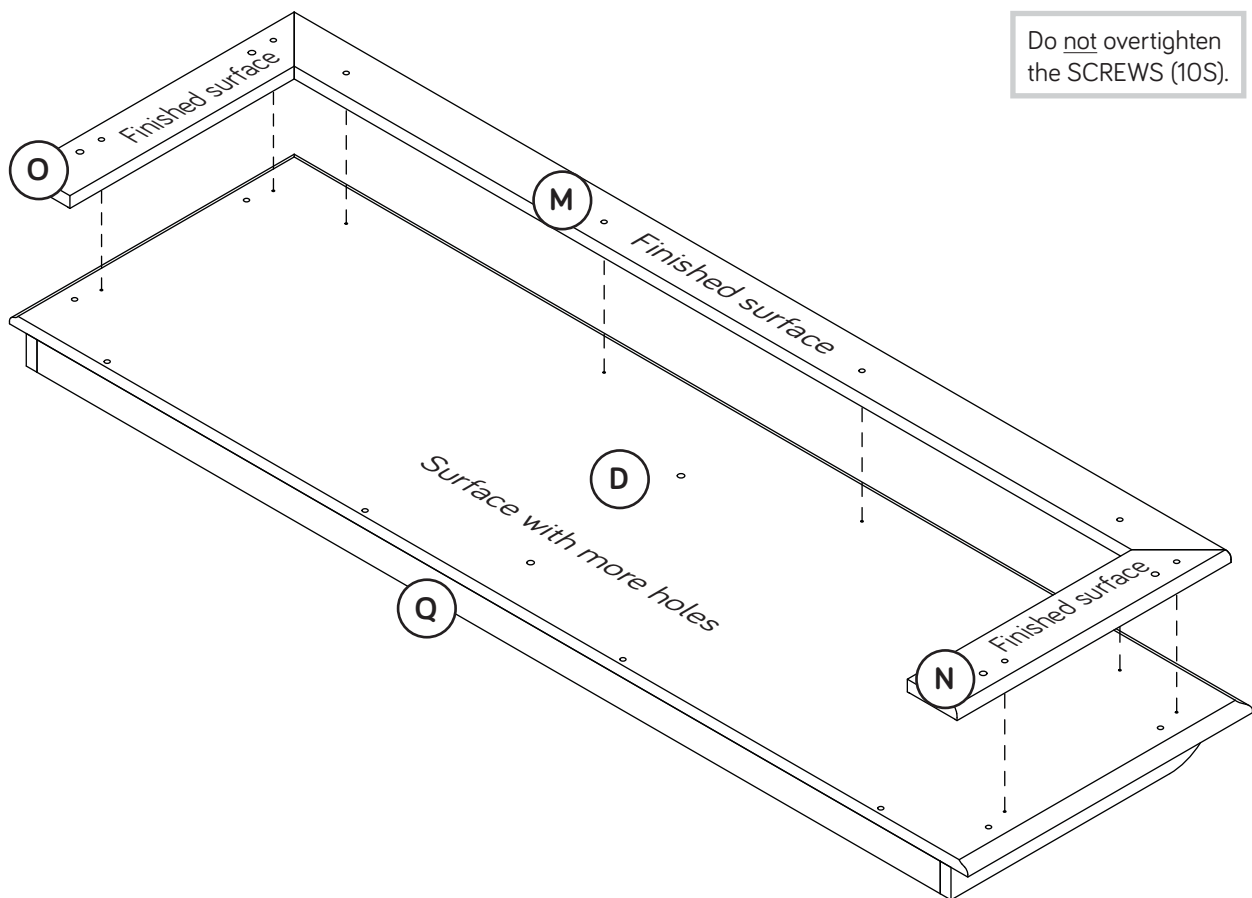
Fasten the TOP (D) to the MOLDINGS (M, N, and O). Use eight SILVER 1-1/8" FLAT HEAD SCREWS (10S).

NOTE: Do not overtighten the SCREWS into the TOP.



SILVER 1-1/8" FLAT HEAD SCREW
(8 used in this step)

Do not overtighten
the SCREWS (10S).

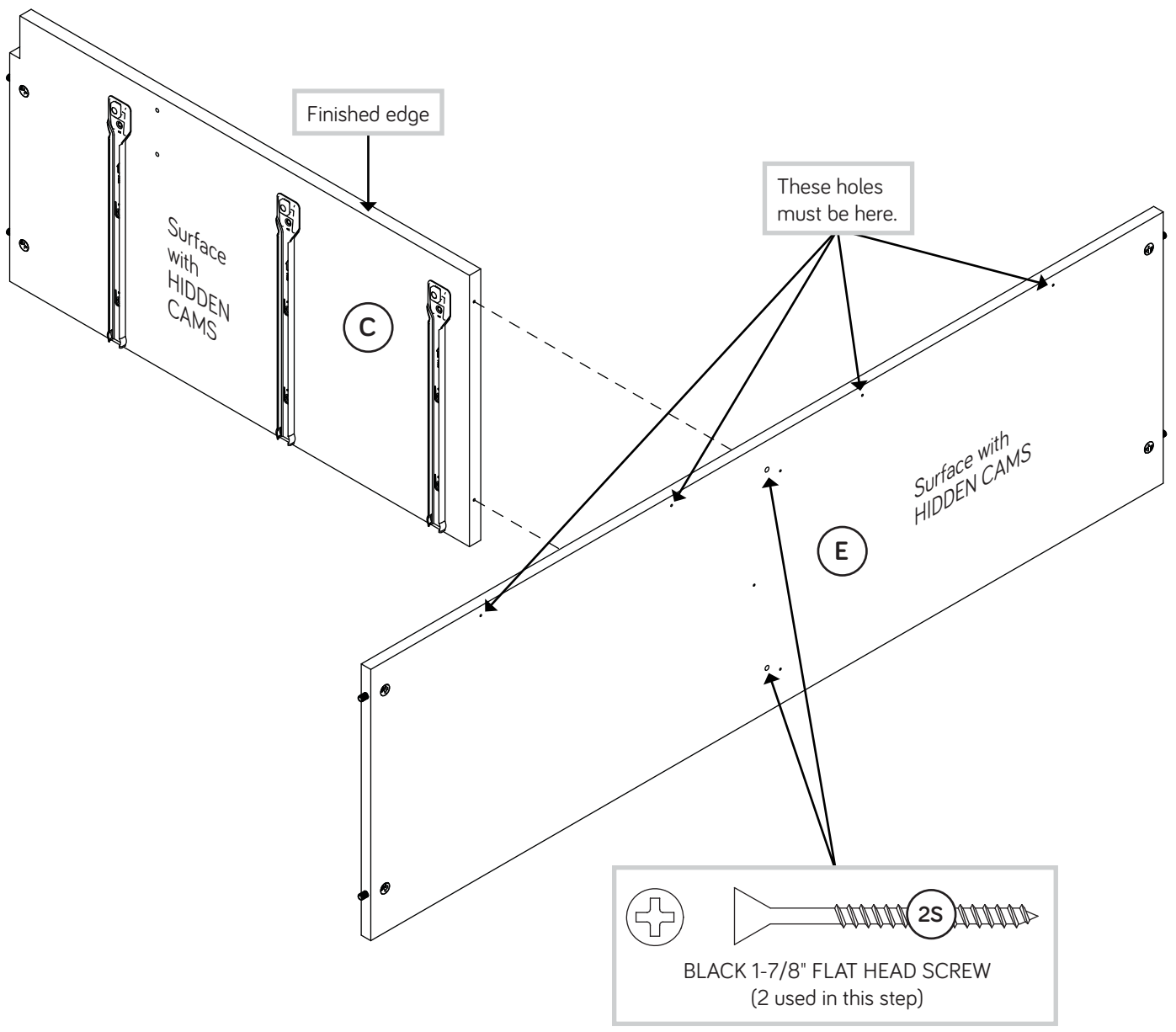


Step 7

Fasten the UPRIGHT (C) to the BOTTOM (E). Use two BLACK 1-7/8" FLAT HEAD SCREWS (2S).

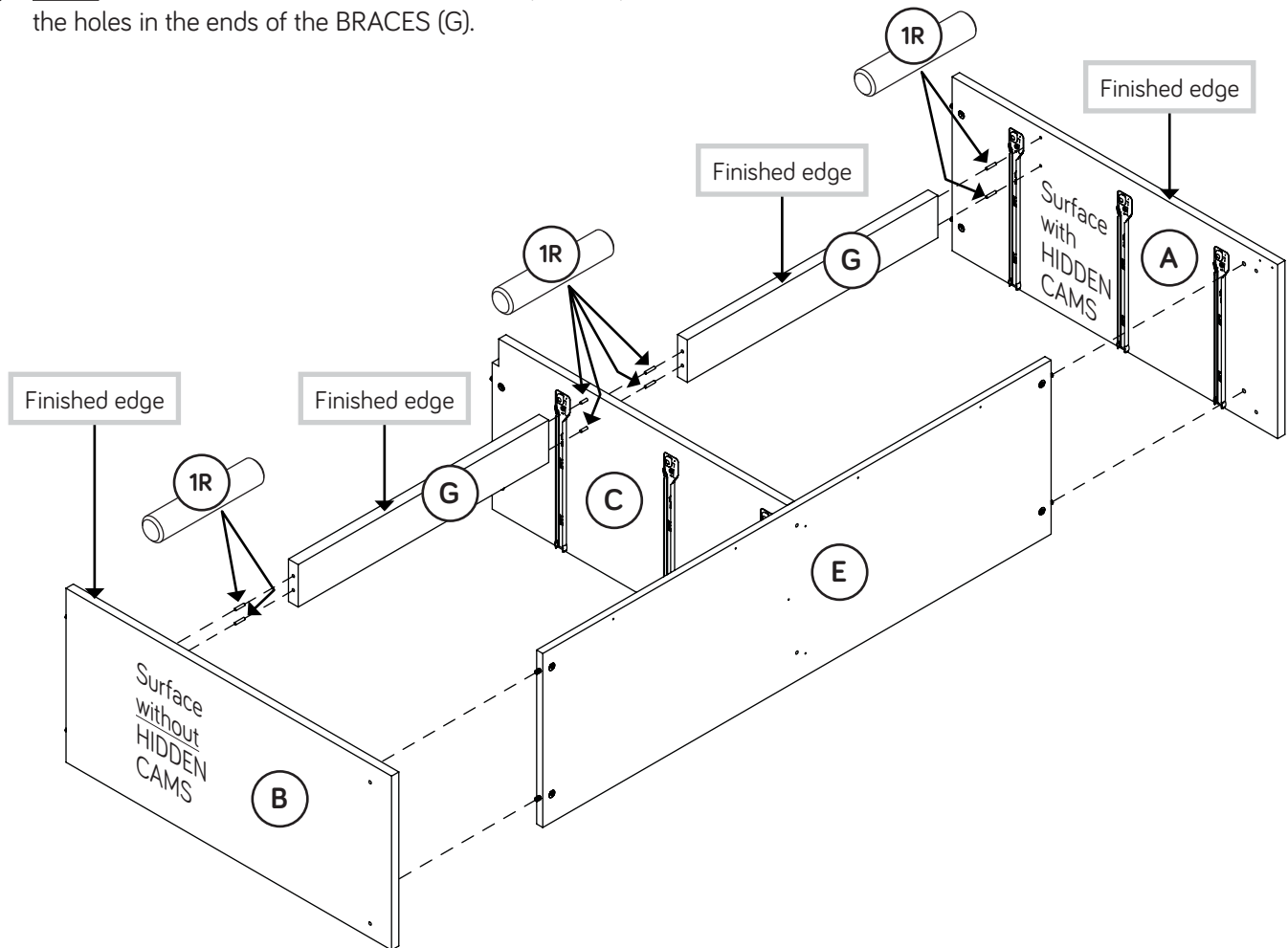
Caution

Do not stand the unit upright without the BACK fastened. The unit may collapse.



Step 8

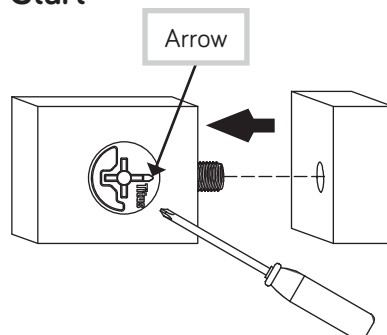
- ✚ Insert eight METAL PINS (1R) into the holes in the ENDS (A and B) and UPRIGHT (C).
- ✚ Place the BRACES (G) onto the METAL PINS in the UPRIGHT (C).
- ✚ Fasten the ENDS (A and B) to the BOTTOM (E). Tighten four HIDDEN CAMS.
- ✚ NOTE: Be sure the METAL PINS in the ENDS (A and B) insert into the holes in the ends of the BRACES (G).



⚠ Caution

Risk of damage or injury. HIDDEN CAMS must be completely tightened. HIDDEN CAMS that are not completely tightened may loosen, and parts may separate. To completely tighten:

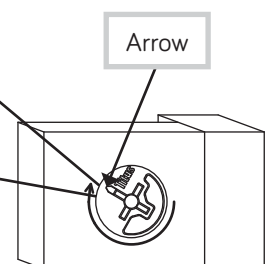
Start



Tighten

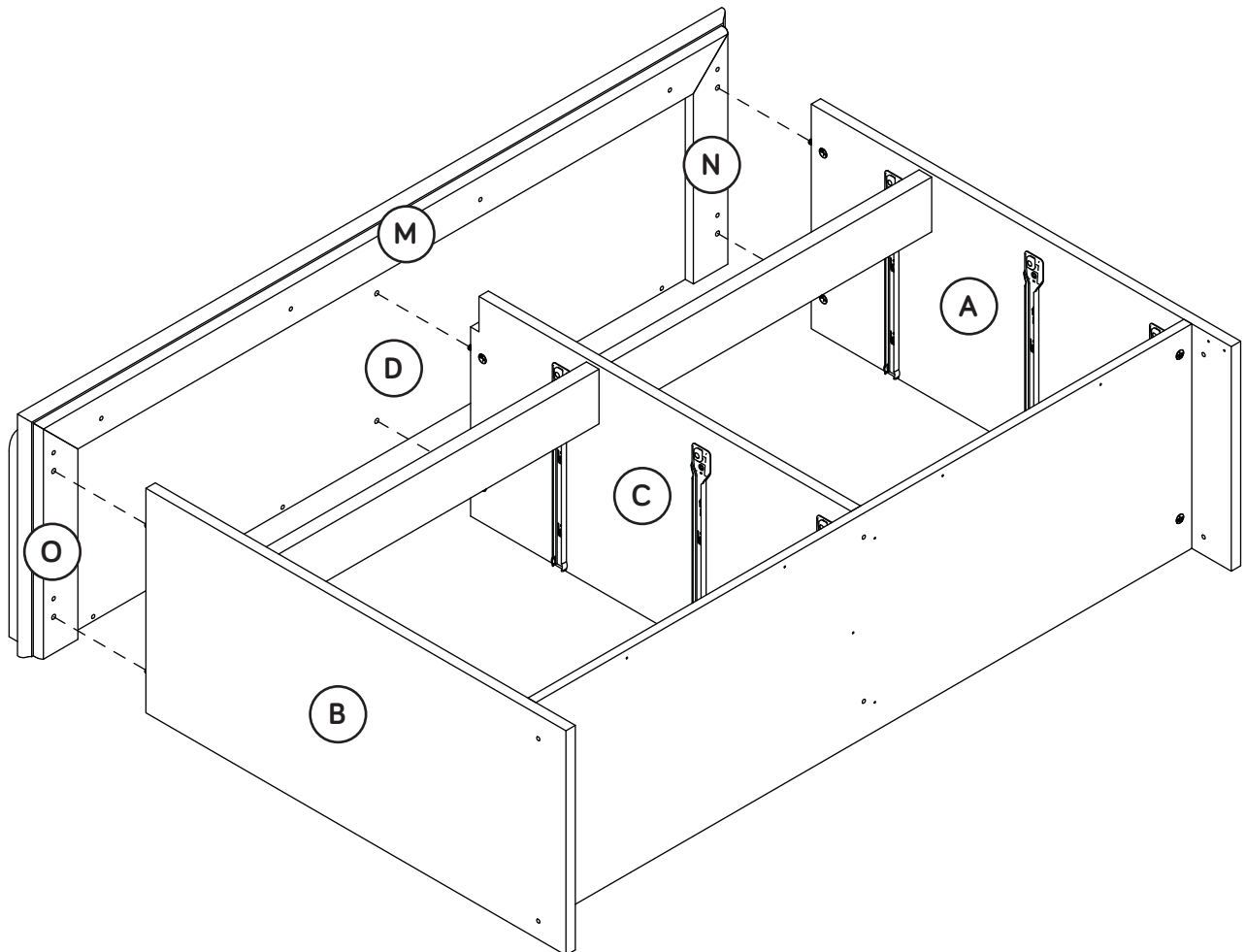
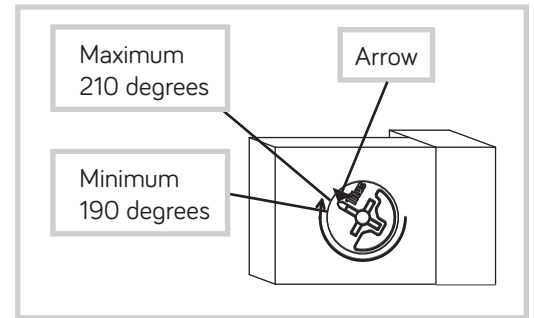
Maximum 210 degrees

Minimum 190 degrees



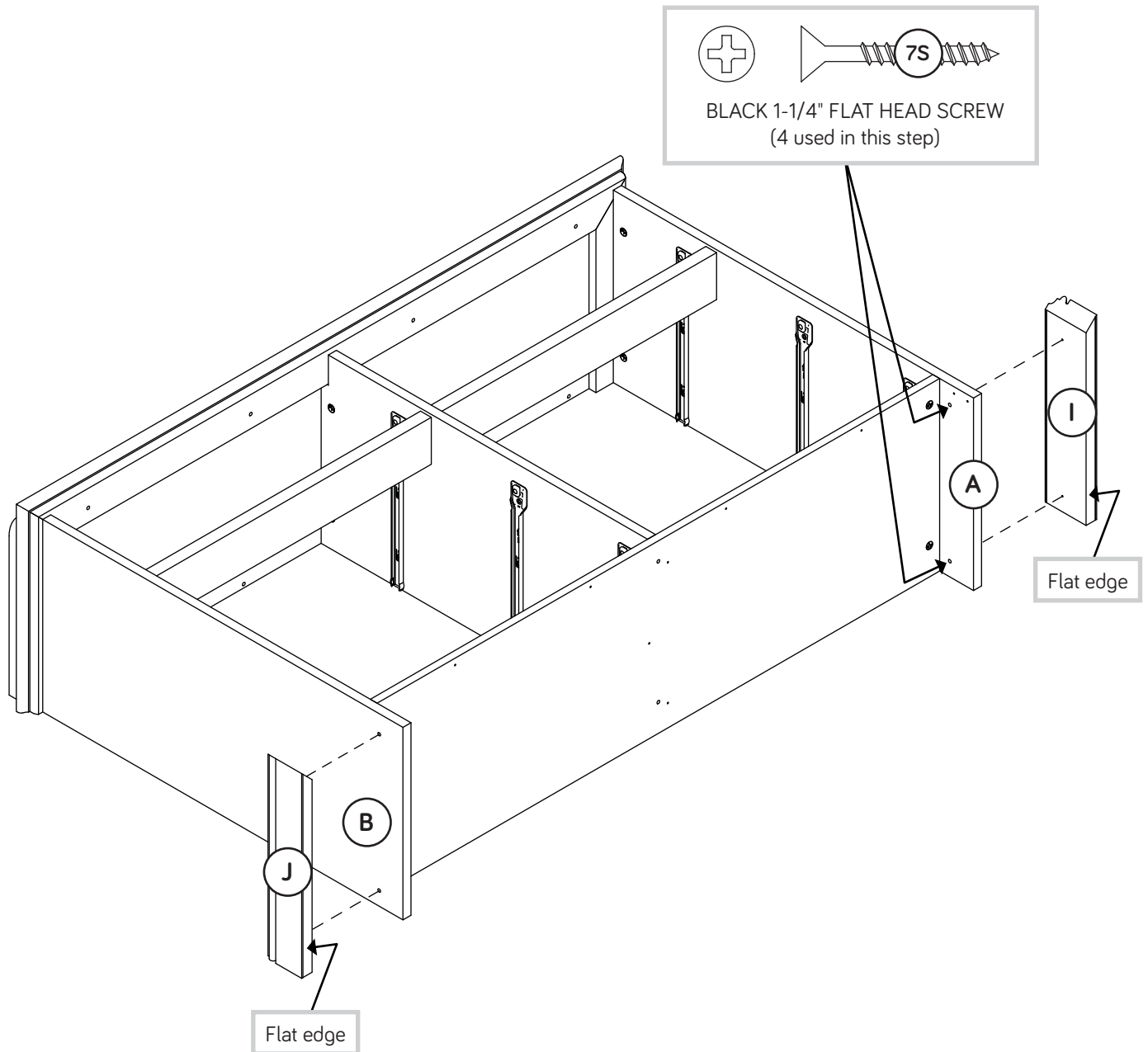
Step 9

- Fasten the TOP (D) to the UPRIGHT (C). Tighten two HIDDEN CAMS.
- Fasten the MOLDINGS (N and O) to the ENDS (A and B). Tighten four HIDDEN CAMS.



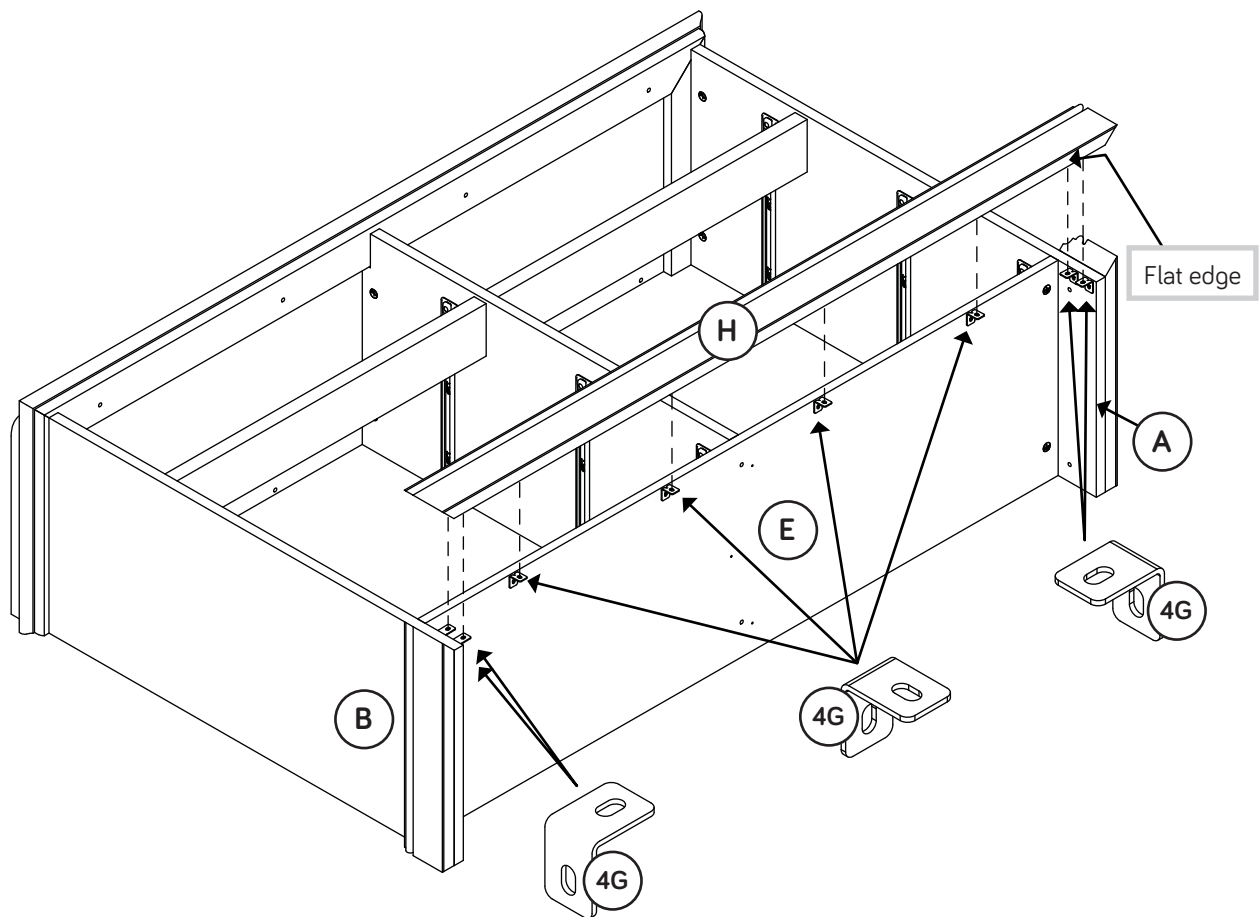
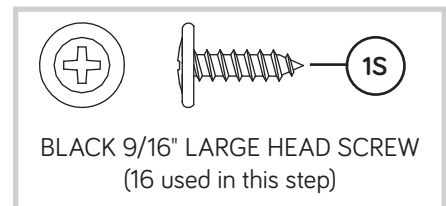
Step 10

- Fasten the BASES (I and J) to the ENDS (A and B). Use four BLACK 1-1/4" FLAT HEAD SCREWS (7S).



Step 11

- Fasten eight METAL BRACKETS (4G) to the ENDS (A and B) and BOTTOM (E). Use eight BLACK 9/16" LARGE HEAD SCREWS (1S).
- NOTE:** Be sure the edges of the METAL BRACKETS are even with the edges of the ENDS and BOTTOM.
- Fasten the BASE (H) to the ENDS (A and B) and BOTTOM (E). Use eight BLACK 9/16" LARGE HEAD SCREWS (1S) through the METAL BRACKETS and into the BASE.

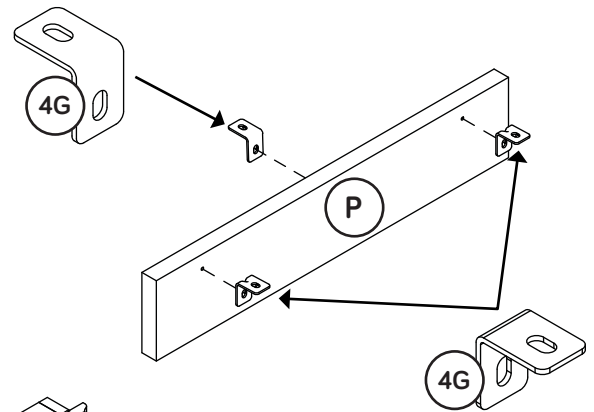


Step 12

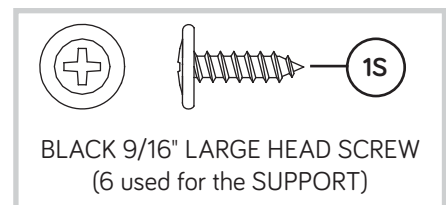
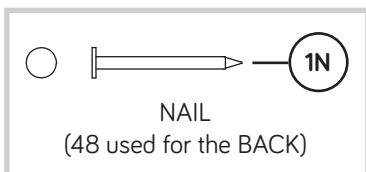
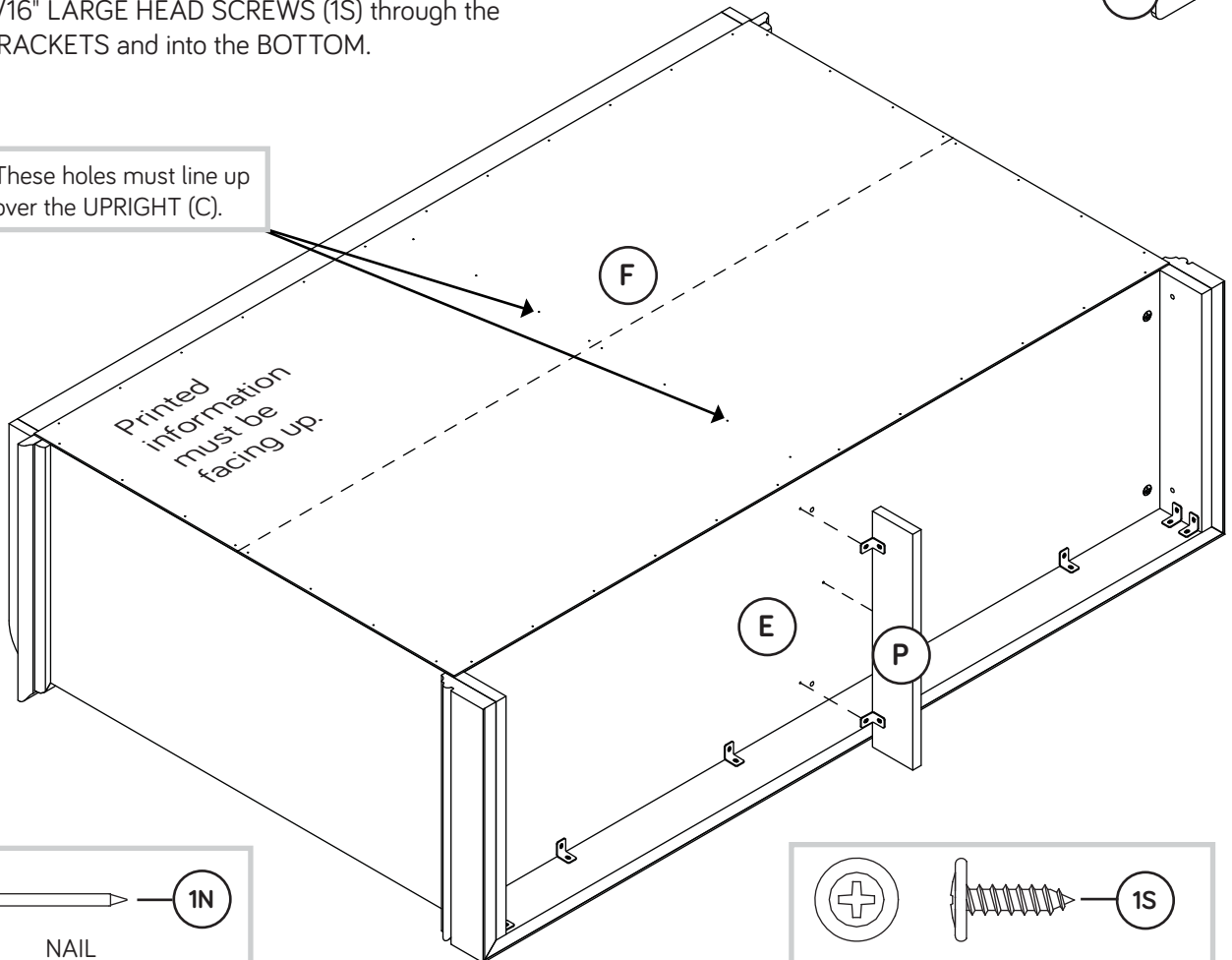
- ✚ Carefully turn your unit over onto its front edges. Unfold the BACK (F) and lay it over your unit.
- ✚ Make equal margins along all four edges of the BACK (F). Push on opposite corners of your unit if needed to make it "square".
- ✚ Fasten the BACK (F) to your unit using the NAILS (1N).
- ✚ **NOTE:** Be sure to tap NAILS into the holes that line up over the UPRIGHT (C).
- ✚ Fasten three METAL BRACKETS (4G) to the SUPPORT (P). Use three BLACK 9/16" LARGE HEAD SCREWS (1S).
- ✚ **NOTE:** Be sure the edges of the METAL BRACKETS are even with the edge of the SUPPORT.
- ✚ Fasten the SUPPORT (P) to the BOTTOM (E). Use three BLACK 9/16" LARGE HEAD SCREWS (1S) through the METAL BRACKETS and into the BOTTOM.



Do not stand the unit upright without the BACK fastened. The unit may collapse.

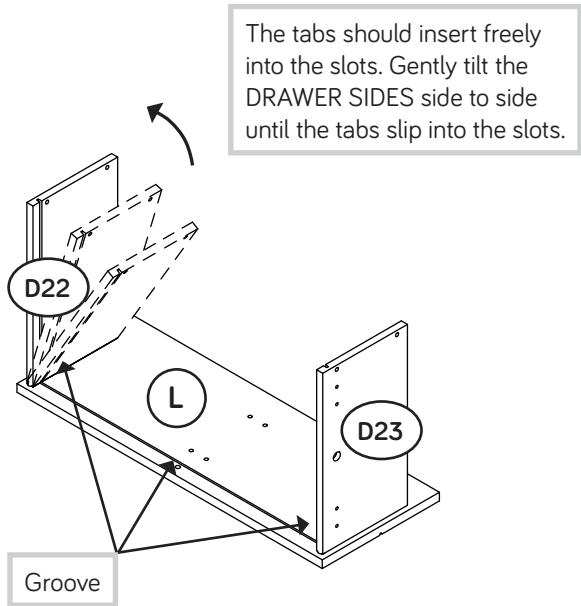


These holes must line up over the UPRIGHT (C).



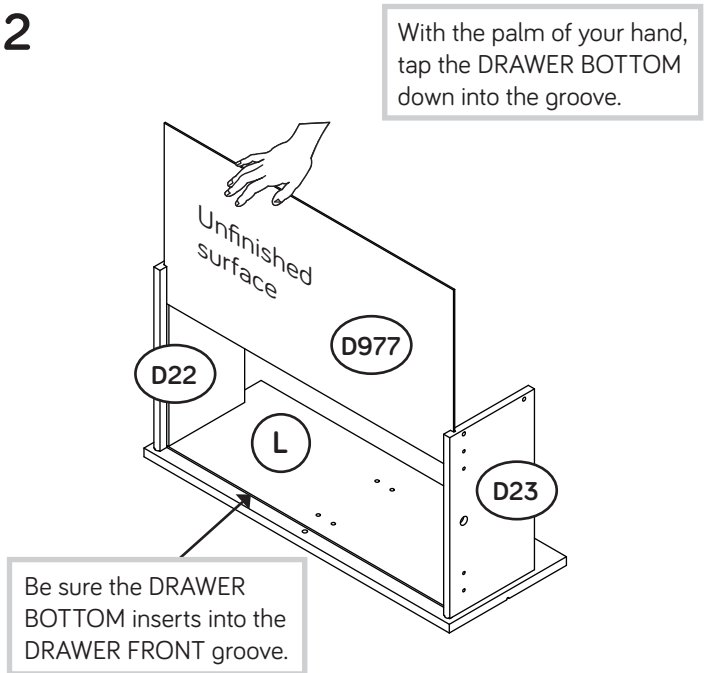
Step 13

1



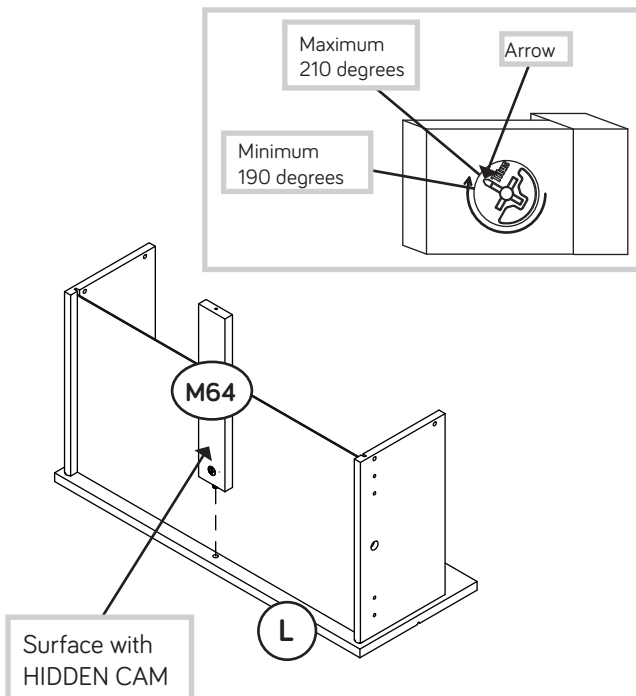
✚ Insert the DRAWER SIDES (D22 and D23) at an angle into the slot at each end of the DRAWER FRONT (L).

2



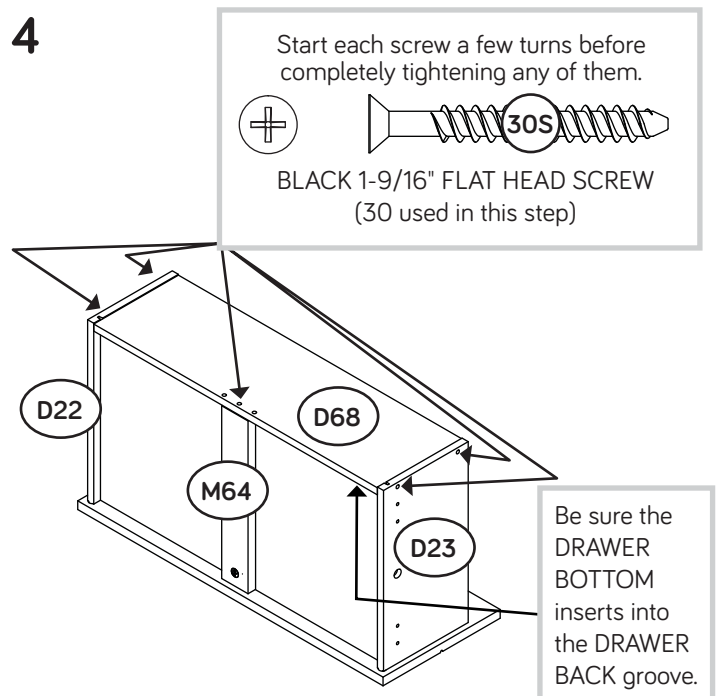
✚ Slide the DRAWER BOTTOM (D977) into the grooves in the DRAWER SIDES (D22 and D23) and DRAWER FRONT (L).

3



✚ Fasten the DRAWER BRACE (M64) to the DRAWER FRONT (L). Tighten one HIDDEN CAM.

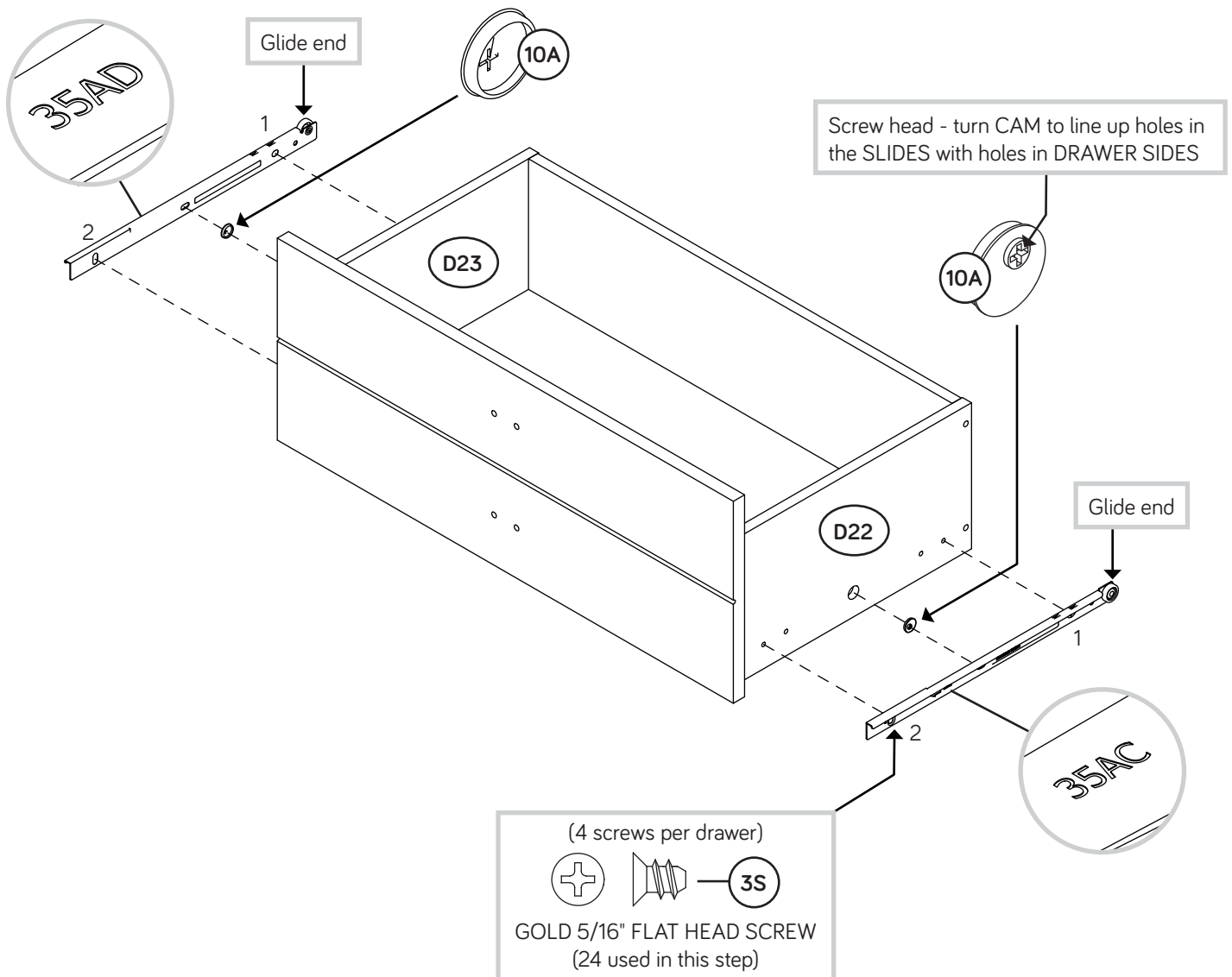
4



✚ Fasten the DRAWER BACK (D68) to the DRAWER SIDES (D22 and D23) and DRAWER BRACE (M64). Use five BLACK 1-9/16" FLAT HEAD SCREWS (30S). Repeat this step for the other DRAWERS. Use parts K, D26, D27, D128, D977 and M64 for the small drawers.

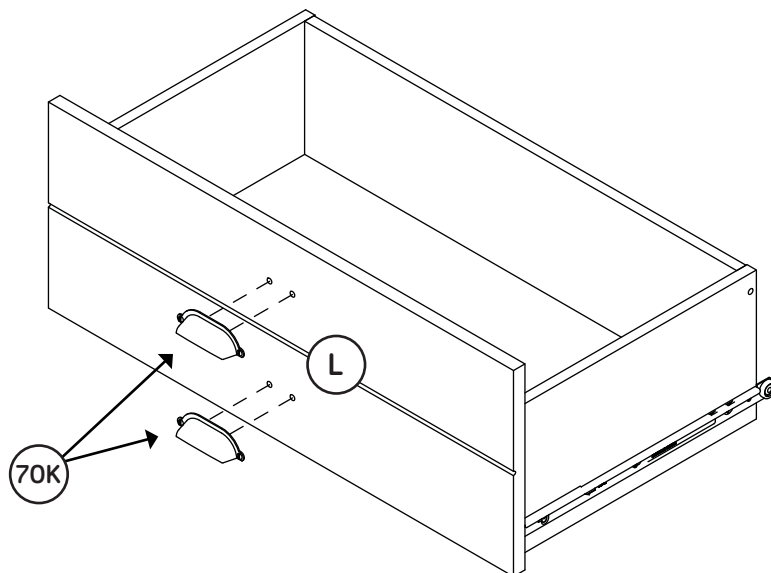
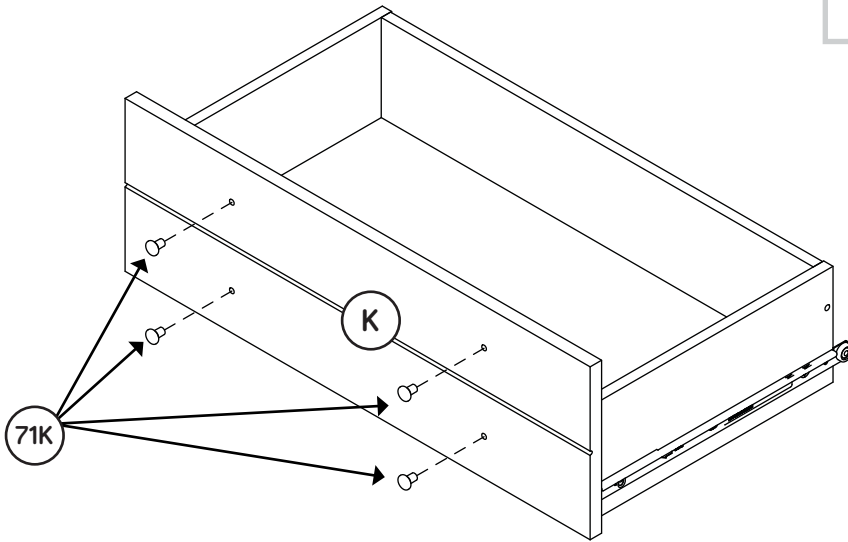
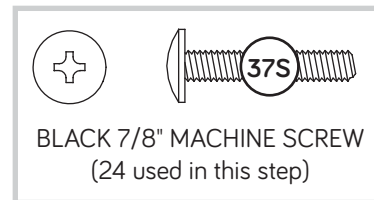
Step 14

- ✚ Insert a SLIDE CAM (10A) into the DRAWER SIDES (D22 and D23).
- ✚ Fasten a DRAWER RIGHT (35AC) to the DRAWER RIGHT SIDE (D22) and a DRAWER LEFT (35AD) to the DRAWER LEFT SIDE (D23). Use four GOLD 5/16" FLAT HEAD SCREWS (3S) through holes #1 and #2.
- ✚ **NOTE:** The screw head in the CAM must be visible through the slotted hole in the SLIDE.
- ✚ **NOTE:** The parts are marked "DRAWER RIGHT" and "DRAWER LEFT" for easy identification.
- ✚ **NOTE:** The glides are not intended to rotate.
- ✚ Repeat this step for the other drawers.



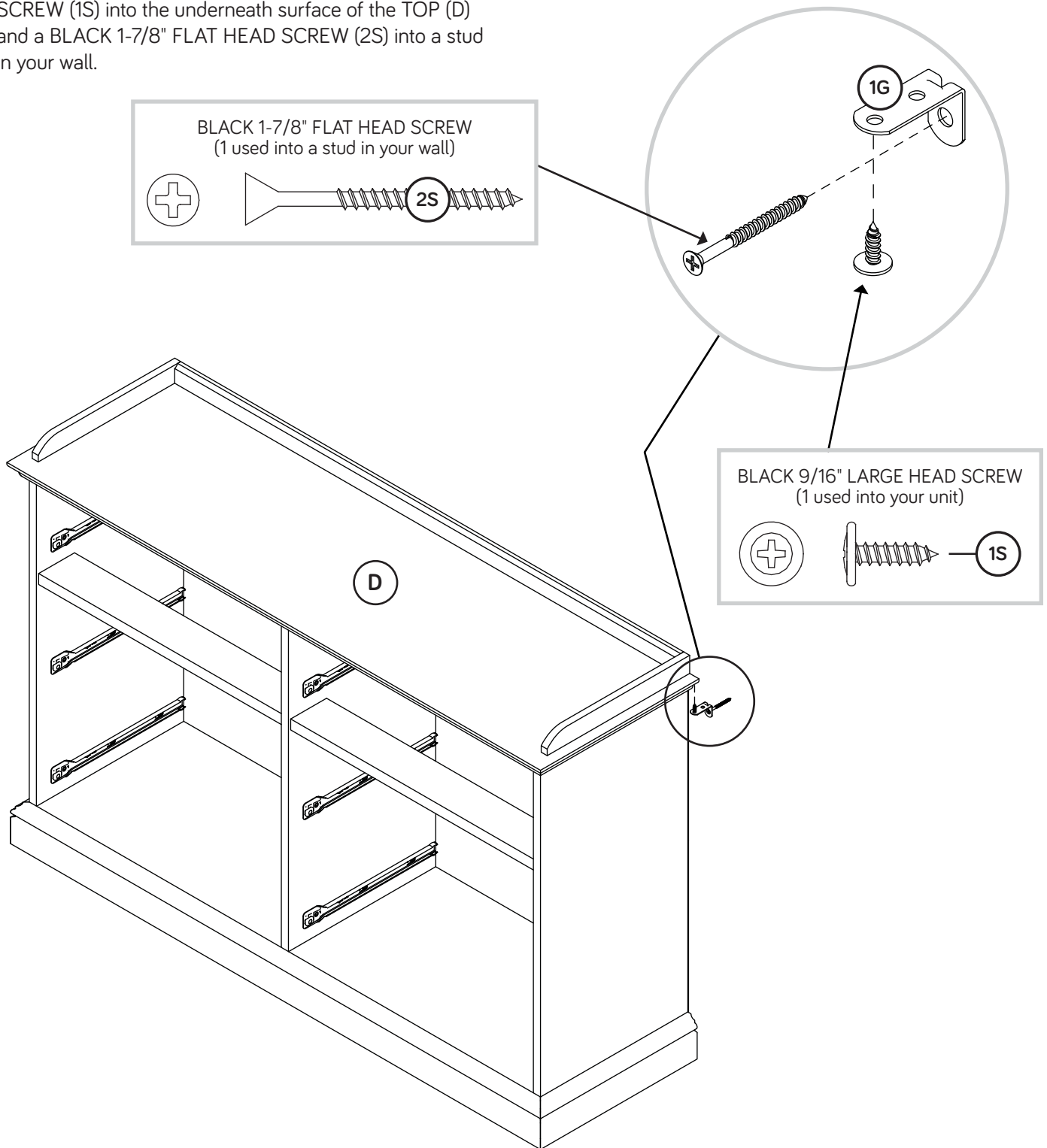
Step 15

- Fasten four KNOBS (71K) to the UPPER DRAWER FRONT (K). Use four BLACK 7/8" MACHINE SCREWS (37S).
- Fasten two PULLS (70K) to the DRAWER FRONT (L). Use four BLACK 7/8" MACHINE SCREWS (37S).
- Repeat this step for the remaining drawers.



Step 16

- ⚠ Carefully stand your unit upright.
- ⚠ We recommend using the SAFETY BRACKET (1G) for added stability. Use a BLACK 9/16" LARGE HEAD SCREW (1S) into the underneath surface of the TOP (D) and a BLACK 1-7/8" FLAT HEAD SCREW (2S) into a stud in your wall.



Step 17

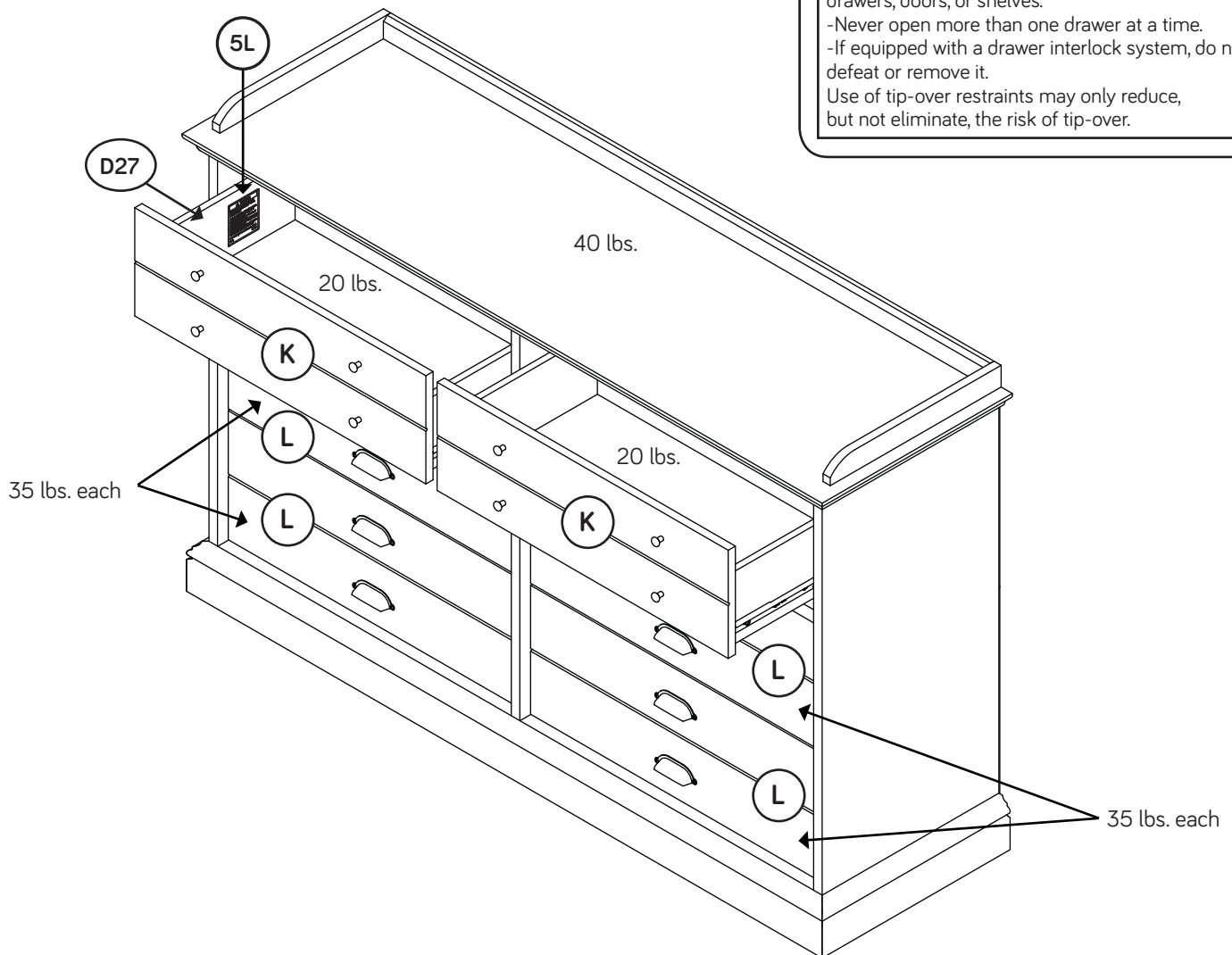
- ✚ To insert the drawer into your unit, tip the front of the drawer down and drop the glides on the drawer behind the glides on the unit. Lift the front of the drawer up and slide it into the unit.
- ✚ Apply the WARNING LABEL (5L) to the SMALL DRAWER LEFT SIDE (D27). You should be able to read the label when the drawer is open. When the drawer is closed, it will hide the label. Peel off the backing and apply the label as shown in the diagram.
- ✚ **NOTE:** This is a permanent label intended to last for the life of the product. Once applied, do not try to remove it.

⚠ WARNING

Serious or fatal crushing injuries can occur from furniture tip-over. To help prevent tip-over:

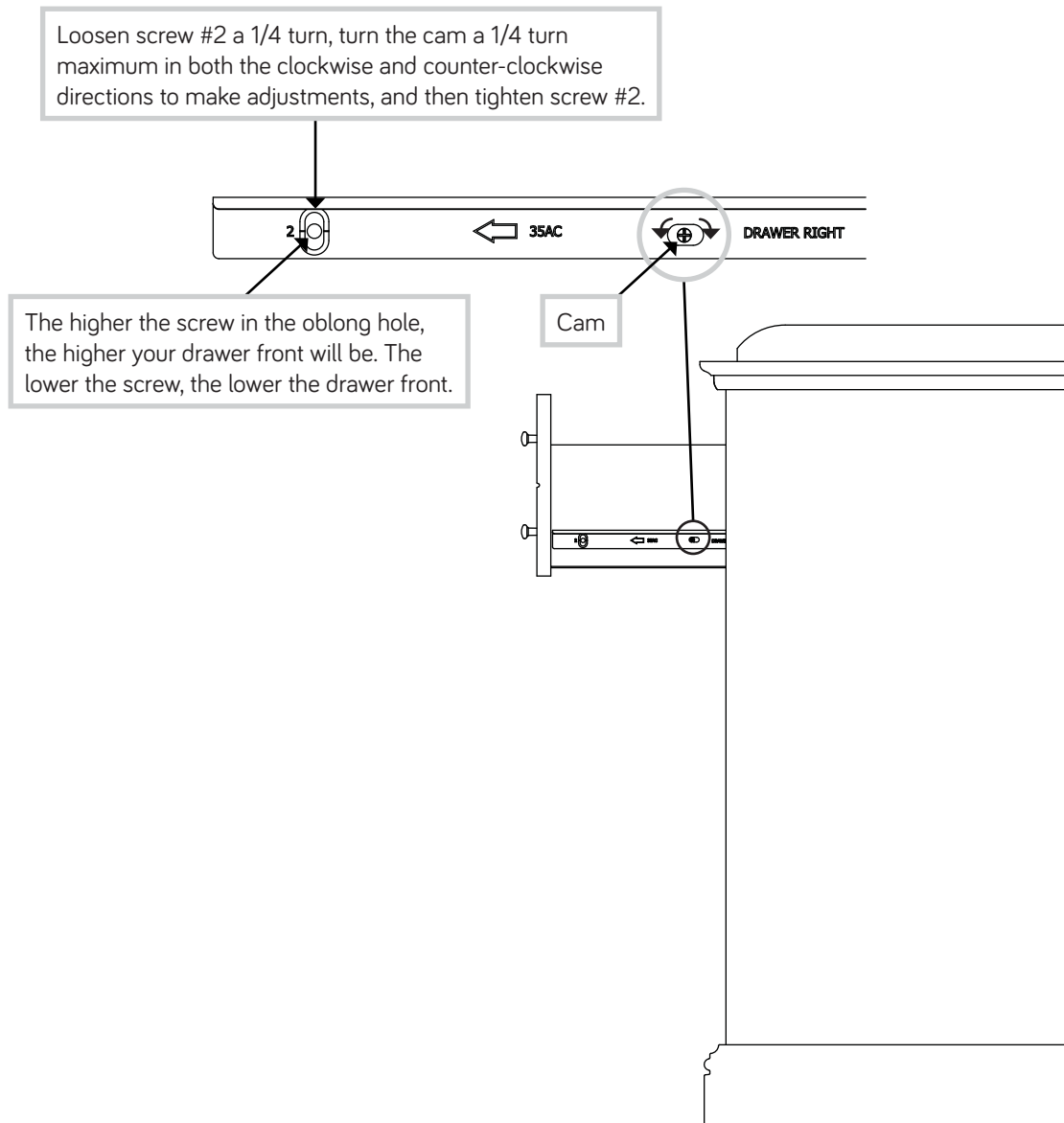
- Place heaviest items in the lowest drawers.
- Unless specifically designed to accommodate, do not set TVs or other heavy objects on top of this product.
- Never allow children to climb or hang on drawers, doors, or shelves.
- Never open more than one drawer at a time.
- If equipped with a drawer interlock system, do not defeat or remove it.

Use of tip-over restraints may only reduce, but not eliminate, the risk of tip-over.



Step 18

- To make adjustments to the drawers, loosen SCREW #2 in the SLIDES a 1/4 turn, then turn the CAM clockwise or counter-clockwise. Notice how the drawer raises or lowers as you turn the CAM. The higher the screw in the oblong hole, the higher your drawer front will be. The lower the screw, the lower the drawer front. By adjusting the drawers this way, it will help the DRAWER FRONTS line up better when closed. Tighten the SCREW when finished with adjustments.
- NOTE:** Please read the back pages of the instruction booklet for important safety information.
- This completes assembly. Clean with your favorite furniture polish or a damp cloth. Wipe dry.



⚠ WARNING

Please use your furniture correctly and safely. Improper use can cause safety hazards, or damage to your furniture or household items. **Carefully read the following chart.**

Look out for:	What can happen:	How to avoid the problem:
<ul style="list-style-type: none">Overloaded dresser drawers and shelves.	<ul style="list-style-type: none">Risk of injury.Top-heavy furniture can tip over.Overloaded drawers and shelves can break.	<ul style="list-style-type: none">Never exceed the weight limits shown in the instructions.Work from the bottom to the top when loading shelves and drawers. Place the heavier items on the lower shelves or drawers.
<ul style="list-style-type: none">Children climbing on furniture.A child may try to reach a toy or other object by climbing on furniture.	<ul style="list-style-type: none">Risk of injury or death.A child climbing on a piece of furniture can make it top-heavy and cause it to tip over.	<ul style="list-style-type: none">Never allow children to climb on or play with furniture.
<ul style="list-style-type: none">Placing TVs on furniture items that are not designed to support a television is hazardous.	<ul style="list-style-type: none">Risk of injury or death. TVs can be heavy and the location of the picture tube tends to make TVs unbalanced and prone to tipping forward.	<ul style="list-style-type: none">This product is not designed to support a television.
<ul style="list-style-type: none">Improperly moving furniture that is not designed and equipped with casters.	<ul style="list-style-type: none">Furniture can tip over or break if improperly moved.Physical injury. Furniture can be very heavy.	<ul style="list-style-type: none">Unload drawers from top to bottom before moving the dresser.Do not push furniture, especially on a carpeted floor.